

Reparaturhinweise

**HANSATON
VENETO Power**

Ausgabe gültig ab: 03/ 2012

Repair Instructions

Edition effective: 03/ 2012

Inhaltsverzeichnis - Index

Inhaltsverzeichnis:

Seite

Inhaltsverzeichnis	1
Bauteileübersicht und Verstärkerbauteile mit Positionsnummern	2
Ersatzteilstückliste	3
Montageplan	5
Mikrofonmontage, Hörermontage	6
Schaltbild	7
Leiterbahn Verstärkeroberseite und -unterseite	8
Technische Daten und Kurven	9

Index:

Page

Inhaltsverzeichnis	1
Table of components and amplifier components with position numbers	2
Spare parts list	3
Assembling diagram	5
Microphone assembling, receiver assembling	6
Circuit diagram	7
Circuit print amplifier top and bottom	8
Technical Data and Curves	9



Reparaturhinweise

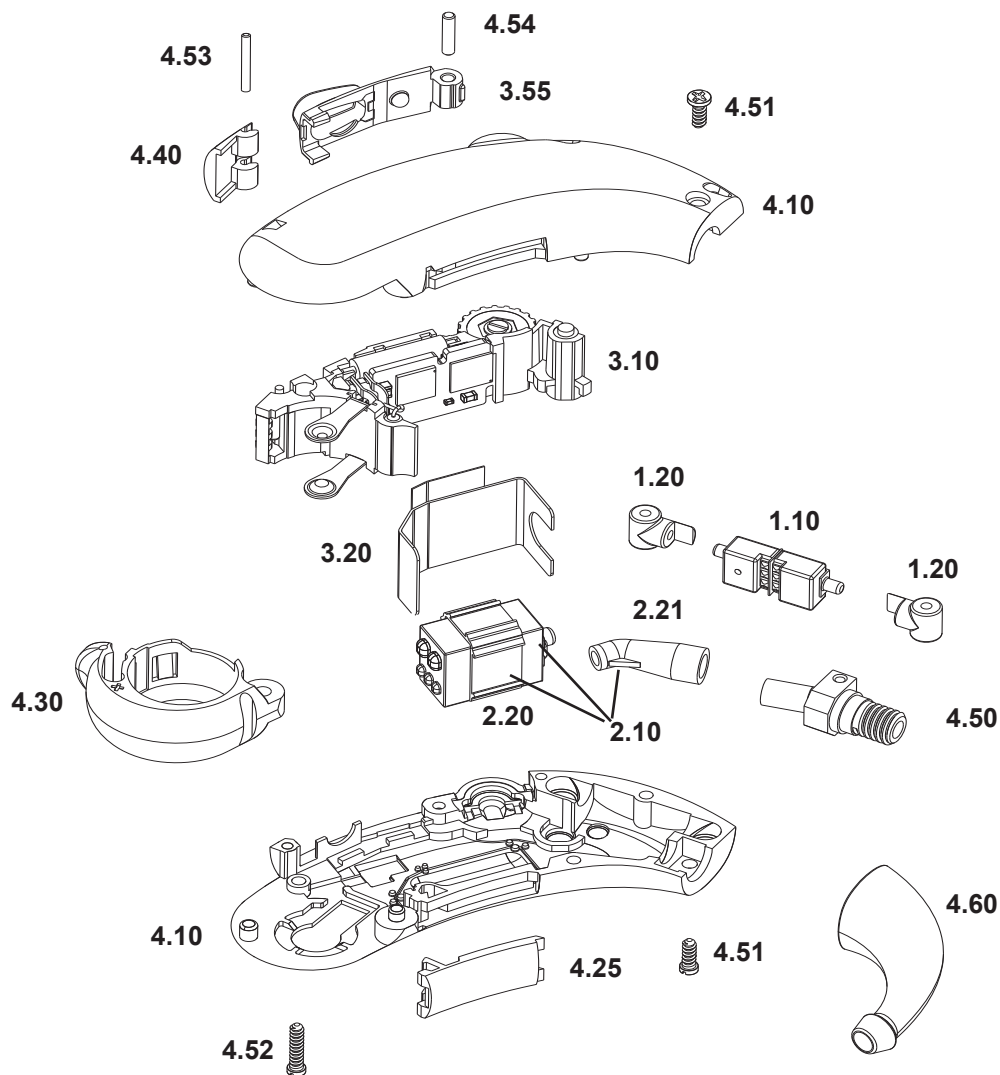
HANSATON VENETO Power

Ausgabe gültig ab: 03/ 2012

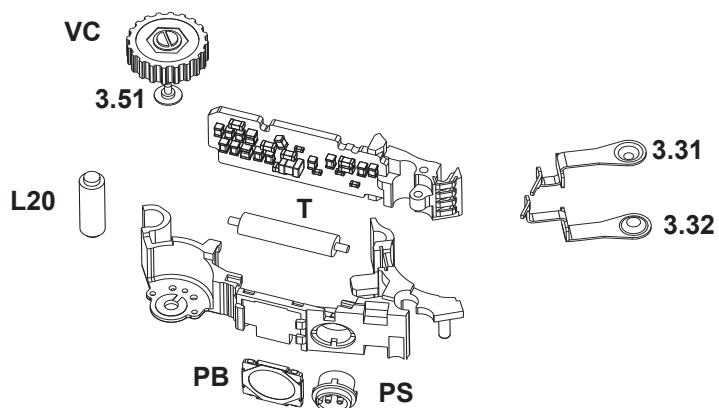
Repair Instructions

Edition effective: 03/ 2012

Bauteileübersicht mit Positionsnummern Table of components with position numbers



Verstärkerbauteile mit Positionsnummern Amplifier components with position numbers

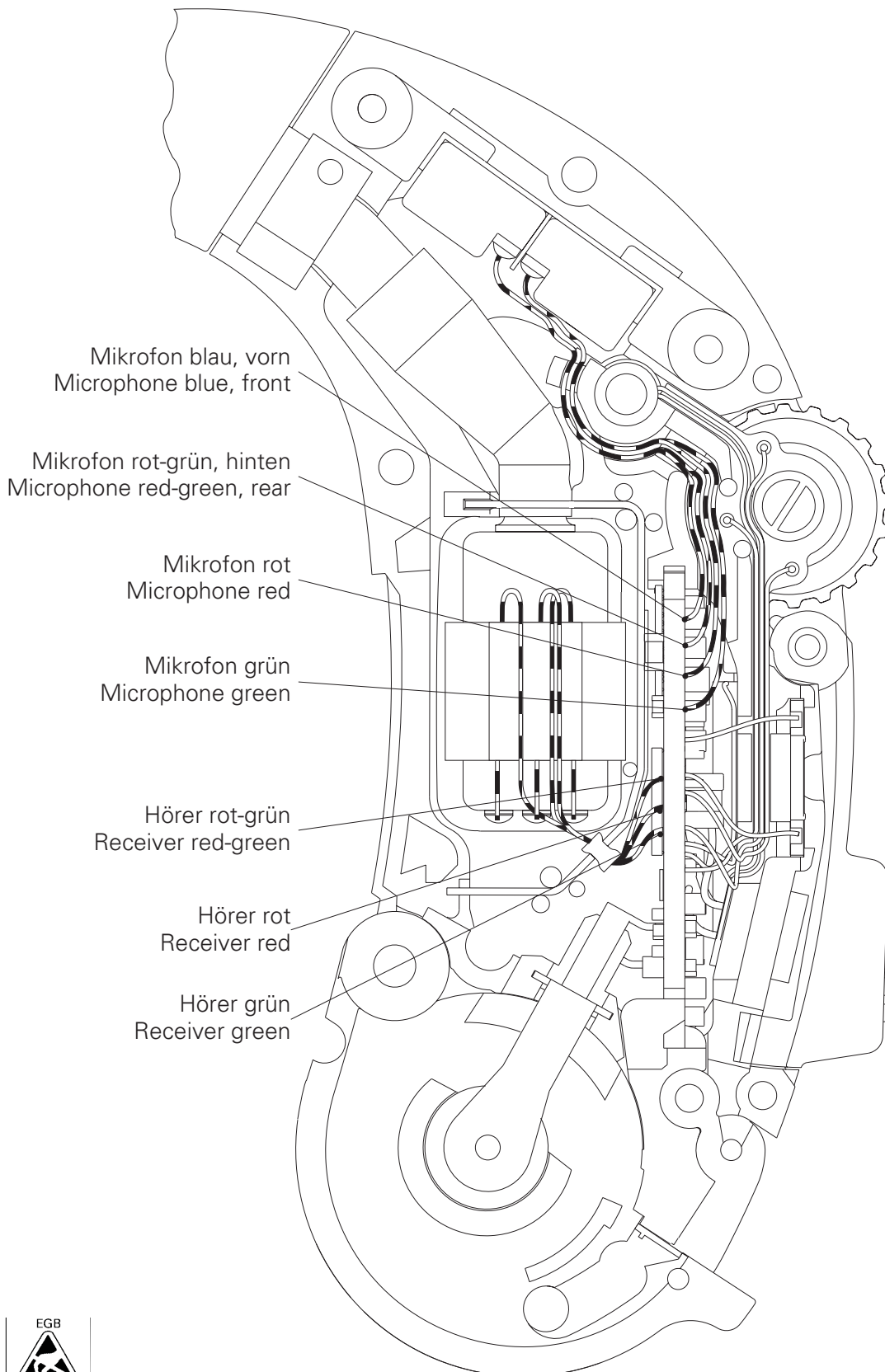


Ersatzteilstückliste - Spare Parts List

Pos.	Bezeichnung	Description	Bestell-Nr. Part No.
1.10	Mikrofoneinheit komplett	Microphone unit complet	64 225
1.20	Mikrofonlagerung	Microphone suspension	60 149
2.10	Höreinheit komplett	Receiver unit complet	64 226
2.20	Hörerlagerung	Receiver suspension	60 140
2.21	Hörerschlauch	Nozzle for receiver	64 228
3.10	Verstärker, beige	Amplifier, beige	75 951
3.10	Verstärker, black	Amplifier, black	75 952
3.10	Verstärker, grey	Amplifier, grey	75 999
3.20	Abschirmblech	Shielding	60 155
3.31	Batteriekontakt plus	Battery contact plus	60 137
3.32	Batteriekontakt minus	Battery contact minus	60 136
3.51	Schraube für Potentiometer	Screw for VC	60 151
VC	Potentiometer, beige	Potentiometer, beige	60 129
VC	Potentiometer, schwarz	Potentiometer, black	60 131
VC	Potentiometer, grey	Potentiometer, grey	60 130
PS	Programmierbuchse	Programming socket	60 133
PB	Drucktaster	Push - button	60 132
3.55	Abdeckung Taster, beige	Cover push - button, beige	59 662
3.55	Abdeckung Taster, grey	Cover push - button, grey	59 664
3.55	Abdeckung Taster, silver	Cover push - button, silver	59 665
3.55	Abdeckung Taster, bronze	Cover push - button, bronze	59 692
3.55	Abdeckung Taster, gold	Cover push - button, gold	59 693
3.55	Abdeckung Taster, copper	Cover push - button, copper	59 694
3.55	Abdeckung Taster, pearl	Cover push - button, pearl	59 666
3.55	Abdeckung Taster, black	Cover push, black	60 879
3.55	Abdeckung Taster, rosarot	Cover push, light pink	60 967
3.55	Abdeckung Taster, himmelblau	Cover push, light blue	60 968
3.55	Abdeckung Taster, rot transparent	Cover push, red transparent	60 969
3.55	Abdeckung Taster, blau transparent	Cover push, blue transparent	60 970
3.55	Abdeckung Taster, gelb transparent	Cover push, yellow transparent	60 971
T	Telefonspule	Telecoil	60 134
4.10	Gehäuse, beige	Case, beige	59 671
4.10	Gehäuse, silver	Case, silver	59 672
4.10	Gehäuse, bronze	Case, bronze	59 673
4.10	Gehäuse, grey	Case, grey	59 674
4.10	Gehäuse, pearl	Case, pearl	59 675
4.10	Gehäuse, gold	Case, gold	59 676
4.10	Gehäuse, copper	Case, copper	59 677
4.10	Gehäuse, black	Case, black	60 877
4.10	Gehäuse, rosarot	Case, light pink	60 961
4.10	Gehäuse, himmelblau	Case, light blue	60 962
4.10	Gehäuse, rot, transparent	Case, red transparent	60 963
4.10	Gehäuse, blau transparent	Case, blue transparent	60 964
4.10	Gehäuse, gelb transparent	Case, yellow transparent	60 965
4.25	Typenschild, beige	Type plate, beige	72 745
4.25	Typenschild, black	Type plate, black	72 749
4.25	Typenschild, silber	Type plate, silver	72 753
4.25	Typenschild, grey	Type plate, grey	72 770
4.25	Set Typenschild, rot, blau	Set type plate, red, blue	72 765
4.30	Batterielade, beige	Battery compartment, beige	59 687
4.30	Batterielade, black	Battery compartment, black	59 653
4.30	Batterielade, silver	Battery compartment, silver	60 878
4.30	Batterielade, grey	Battery compartment, grey	60 966

Ersatzteilstückliste - Spare Parts List

Pos.	Bezeichnung	Description	Bestell-Nr. Part No.
4.40	Abdeckklappe Audio, beige	Cover plate audio, beige	59 657
4.40	Abdeckklappe Audio, silver	Cover plate audio, silver	59 660
4.40	Abdeckklappe Audio, grey	Cover plate audio, grey	59 659
4.40	Abdeckklappe Audio, bronze	Cover plate audio, bronze	59 688
4.40	Abdeckklappe Audio, gold	Cover plate audio, gold	59 689
4.40	Abdeckklappe Audio, copper	Cover plate audio, copper	59 690
4.40	Abdeckklappe Audio, black	Cover plate audio, black	60 881
4.40	Abdeckklappe Audio, pearl	Cover plate audio, pearl	59 661
4.40	Abdeckklappe Audio, rosarot	Cover plate audio, light pink	60 997
4.40	Abdeckklappe Audio, himmelblau	Cover plate audio, light blue	60 998
4.40	Abdeckklappe Audio, rot transparent	Cover plate audio, red transparent	60 999
4.40	Abdeckklappe Audio, blau transparent	Cover plate audio, blue transparent	61 000
4.40	Abdeckklappe Audio, gelb transparent	Cover plate audio, yellow transparent	61 001
4.50	Gewindestück	Sound stud	60 156
4.51	Kreuzschlitzschraube 1 x 2,6	Phillips head screw 1 x 2,6	64 229
4.52	Kreuzschlitzschraube 1 x 5,5	Phillips head screw 1 x 5,5	64 230
4.53	Gehäusestift 0,6 x 5,5mm *	Axle for case 0,6 x 5,5mm *	44 025
4.54	Stift 0,9 x 4	Pin 0,9 x 4	60 154
4.60	Tragehaken	Elbow	60 211
4.60	Kindertragehaken	Elbow for children	60 212
	Leitung 22 mm rot	Litz wire 22 mm red	42 013
	Leitung 22 mm rot grün	Litz wire 22 mm red green	42 014
	Leitung 22 mm grün	Litz wire 22 mm green	42 015
	Leitung 22 mm blau	Litz wire 22 mm blue	42 016
L5	Filterspule 47 nH	Filter coil 47 nH	39 796
L20	Induktionsspule (Wireless)	Induction coil (Wireless)	62 173
C43	Kondensator 15 pF	Capacitor 15 pF	56 794
C11,C15,C72	Kondensator 0,1 µF	Capacitor 0,1 µF	44 619
C1,C6	Kondensator 47 nF	Capacitor 47 nF	35 374
C4,C5,C9 C23,C41,C44 C44,C70,C71	Kondensator 1 µF	Capacitor 1 µF	36 285
C24	Kondensator 4,7 µF	Capacitor 4,7 µF	39 800
C8,C13	Kondensator 10 µF	Capacitor 10 µF	61 837
R10,R11	Widerstand 33 Ohm	Resistor 33 Ohm	44 622
L12,L13,L14 L15,L16,L17	Widerstand 47R Filter	Resistor 47R filter	50 273
L6,L7,L8 L10,L21,L22	Widerstand 68R Filter	Resistor 68R filter	39 802



Mikrofonmontage , Microphone assembling

Höreremontage , Receiver assembling

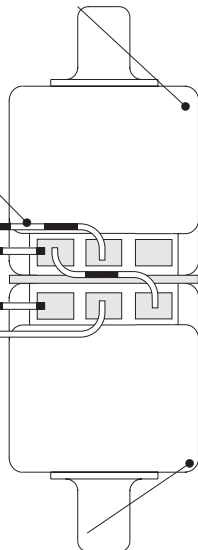
Mikrofon, Microphone vorn, front

blau, blue 22mm

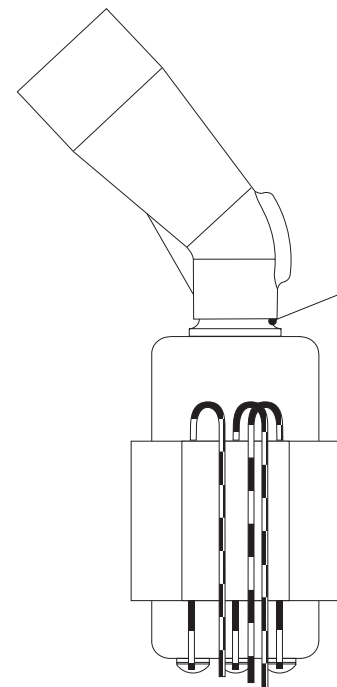
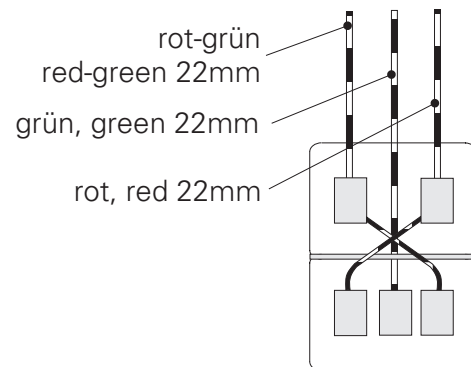
grün, green 22mm

rot, red 22mm

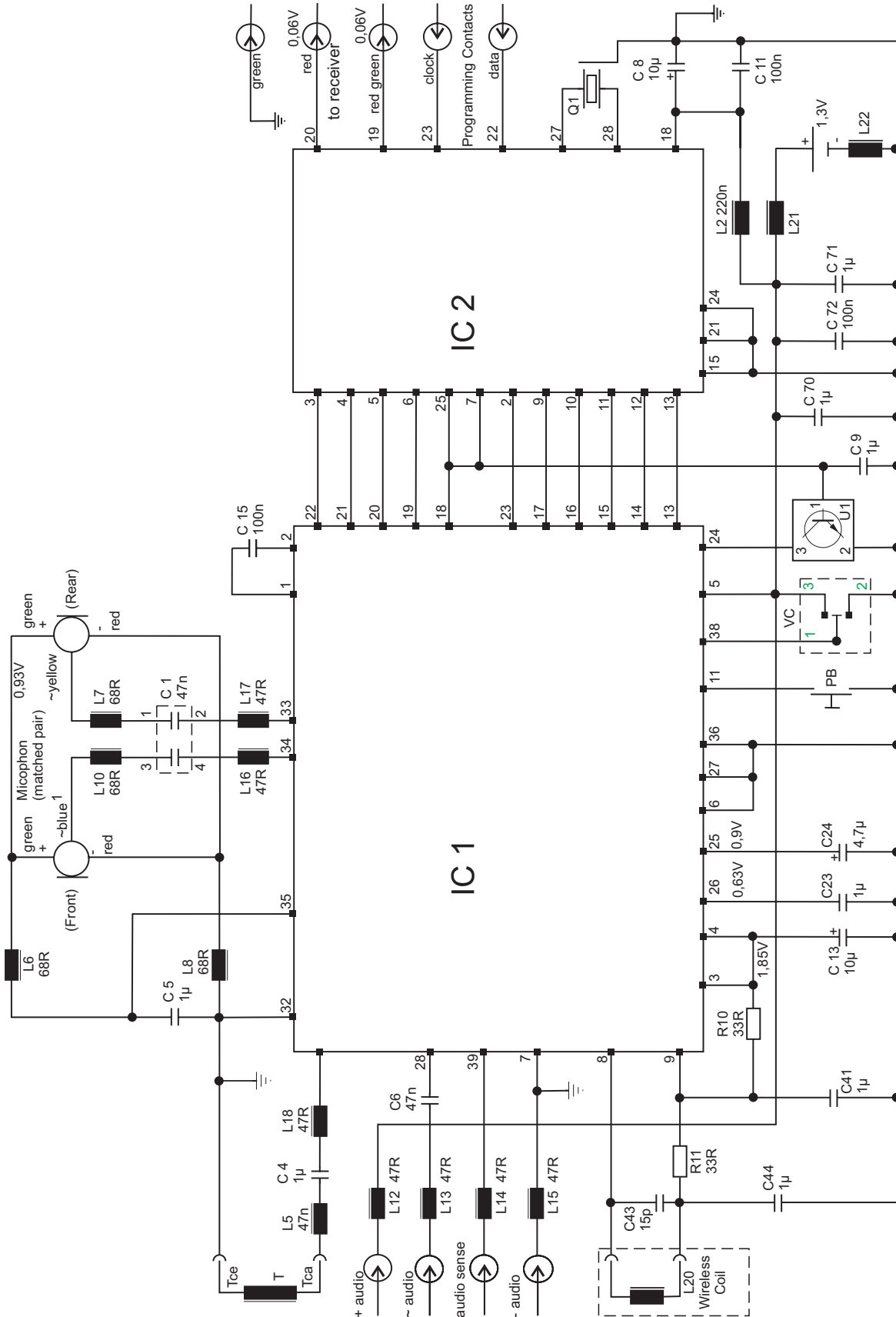
rot-grün
red-green 22mm



Mikrofon, Microphone hinten, rear



Schaltbild - Circuit diagram



Reparaturhinweise

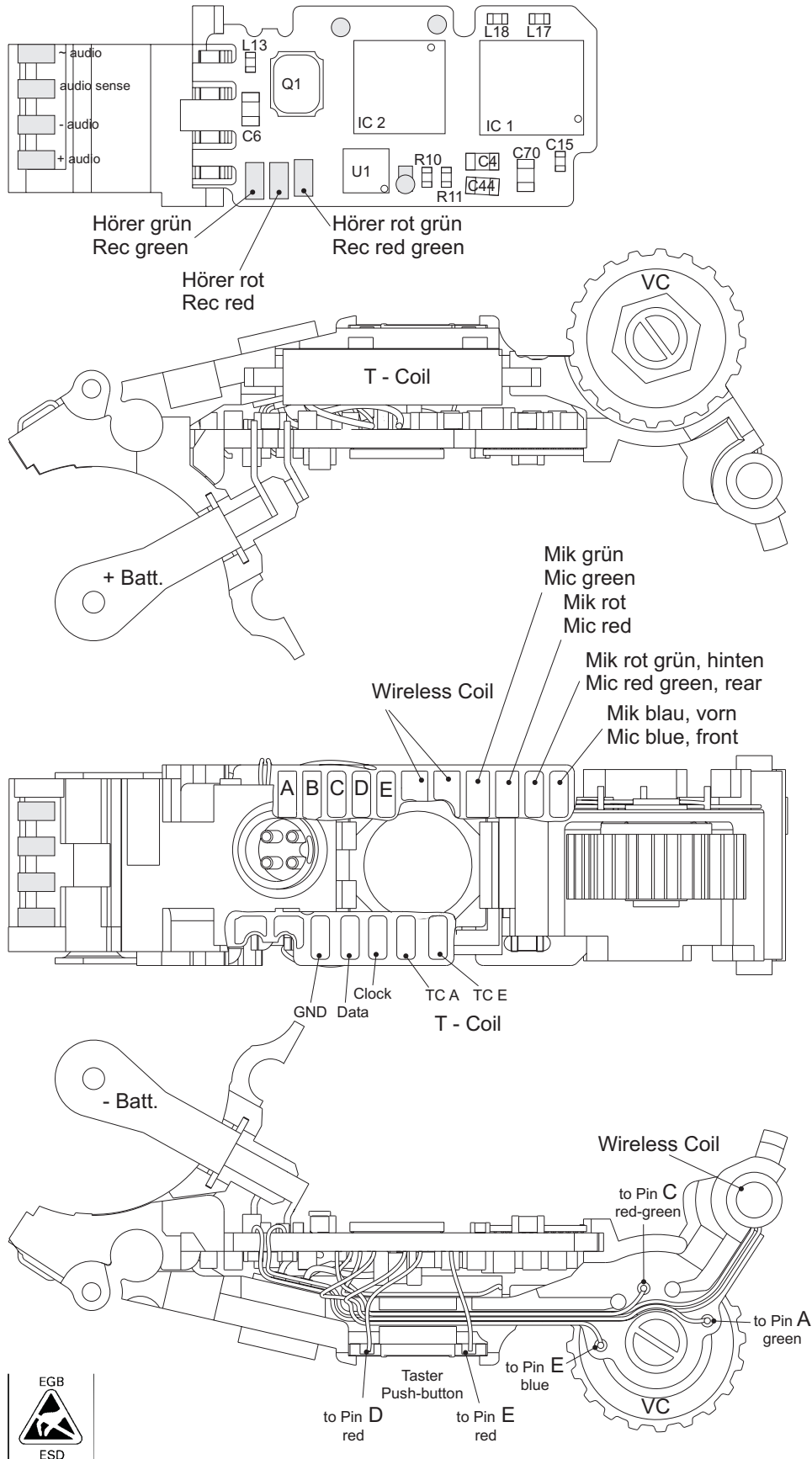
HANSATON VENETO Power

Ausgabe gültig ab: 03/ 2012

Repair Instructions

Edition effective: 03/ 2012

Leiterbahn - Circuitboard





VENETO Power



Measuring settings

If not mentioned differently in the individual diagrams, the following adjustments are effective:
Adaptive parameters: **off**
Full on Gain (CONNEXX Test setting)

Applicable standards

Ear simulator measurement **EN 60118-0: 1994**
2 cc coupler measurement **EN 60118-7: 2005**
ANSI-Standard (S3.22-2003)

Ear-Simulator EN 60118-0: 1994	Technical Specifications	2 cc-Coupler ANSI-Standard (S3.22-2003) / EN 60118-7: 2005
Max. Output OSPL 90/ Maximum Acoustic Gain	Maximum output [dB SPL]	Max. Output OSPL 90/ Maximum Acoustic Gain
141 133 -	Peak 1600 Hz HF-Average SSPL90	136 - 128
	Gain [dB] input: 50 dB SPL	
78 68 -	Peak 1600 Hz HF-Average Full on Gain Reference Test Gain	75 - 64 51
58	Frequency range [Hz]	
100 5.500	Low frequency limit High frequency limit	100 5.000
Reference Test Gain	Total harmonic distortion [%]	Reference Test Gain
4,0 2,0 1,0	500 Hz 800 Hz 1600 Hz	3,8 1,8 2,5
	Equivalent input noise [dB]	
16		17
Reference Test Gain of Telecoil	Max. telecoil sensitivity [dB SPL]	Reference Test Gain of Telecoil/ SPLITS curve
127 120 -	Peak 1600 Hz MASL (60118-7) ETLS (60118-7) HFA-SPLITS (ANSI)	0 105
-	Total harmonic distortion of telecoil [%] input: 100mA/m	
-	500 Hz 800 Hz 1600 Hz	- - -
1,5	Battery type	
13		13
Battery voltage [V]		
1,35		1,35
Battery current [mA]		
1,0		1,65
Sensitivity of audio input [mV]		
2,0		-
AGC-O Attack- and Release time [ms]		
-	Attack time	85
-	Release time	550
Remark This hearing instrument is able to achieve an output sound pressure level of more than 132 dB SPL. In order to exclude an increase of hearing loss special attention has to be given to protection of the residual hearing upon fitting.		Steady state I/O AGC characteristics